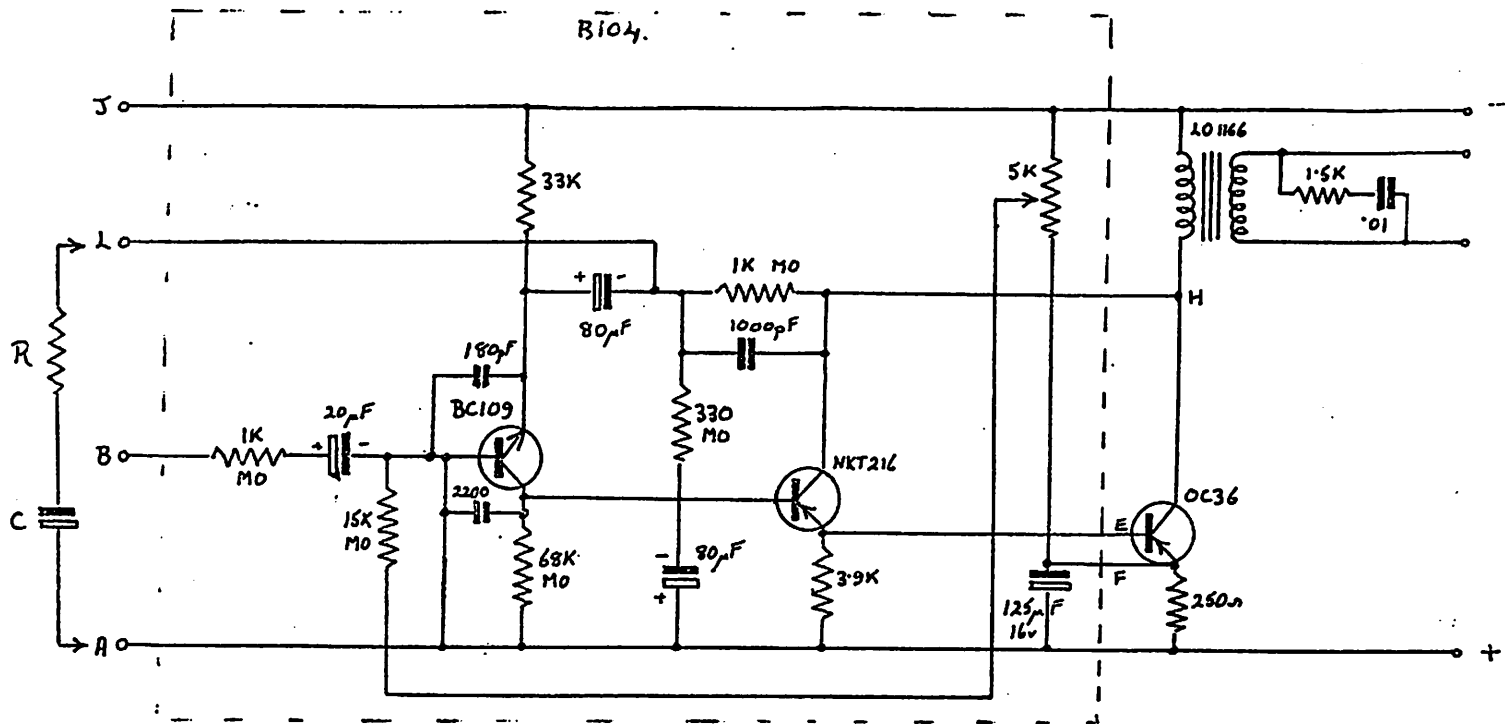


LINE AMPLIFIER B104.



R - C	GAIN	% DIST. @ +20 dB _n	NOISE AT O/P.
—	15 dB	0.026	-99 dB _n
330 Ω - 100 μ F	20 dB	0.026	-96 dB _n
120 Ω - 200 μ F	25 dB	0.037	-90 dB _n
50 Ω - 400 μ F	30 dB	0.055	-85 dB _n

